



OSYS CATALOG

2019 FURNITURE COLLECTION



CABINET

COLLECTION

PEDESTAL



COLOR OPTIONS

BEECH



CAPPUCHINO



CHERRY



MAHOGANY



MAPLE



WALNUT



HANDLE OPTIONS

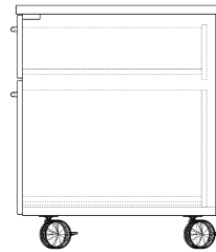
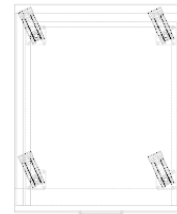


DIMENSIONS

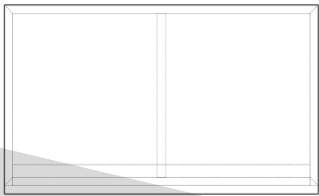
W: 400 mm

D: 480 mm

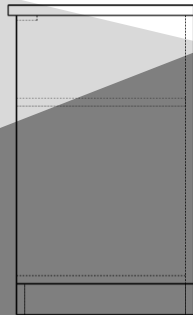
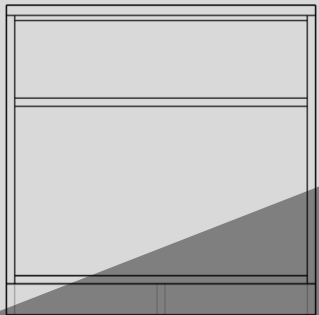
H: 560 – 620 mm



LOW CABINET



DIMENSIONS
W: 750 - 900 mm
D : 450 mm
H : 750 mm



COLOR OPTIONS

BEECH



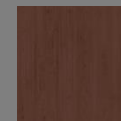
CAPPUCHINO



CHERRY



MAHOGANY



MAPLE



WALNUT



MEDIUM CABINET

DIMENSIONS

W: 750 - 900 mm

D: 450 mm

H: 1200 - 1800 mm

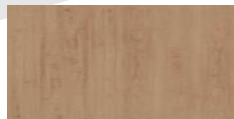


COLOR OPTIONS

BEECH



CAPPUCHINO



CHERRY



MAHOGANY



MAPLE



WALNUT



COMBINATION CABINET



3 DRAWERS



4 DRAWERS



COLOR OPTIONS

DIMENSIONS
W: 1200 mm
D: 450 mm
H: 750 mm

BEECH



CAPPUCHINO



CHERRY



MAHOGANY



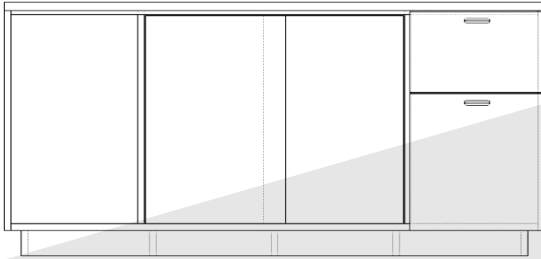
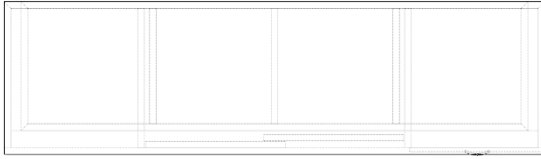
MAPLE



WALNUT



SIDE CABINET



DIMENSIONS
W: 1600 mm
D : 450 mm
H : 600 mm



COLOR OPTIONS

BEECH



CAPPUCHINO



CHERRY



MAHOGANY



MAPLE



WALNUT



HANDLE OPTIONS



HIGH CABINET

DIMENSIONS
W: 750 - 900 mm
D : 450 mm
H : 2000 mm

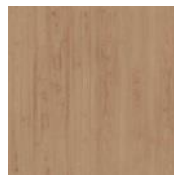


COLOR OPTIONS

BEECH



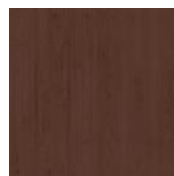
CAPPUCHINO



CHERRY



MAHOGANY



MAPLE



WALNUT

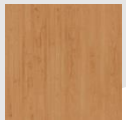


HIGH CABINET

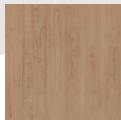


COLOR OPTIONS

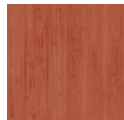
BEECH



CAPPUCHINO



CHERRY



MAHOGANY



MAPLE



WALNUT

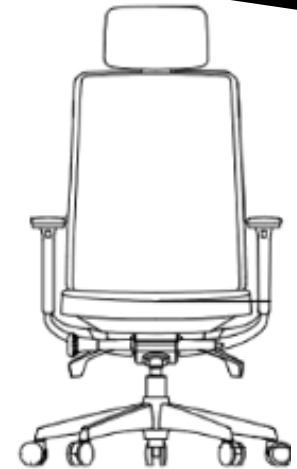
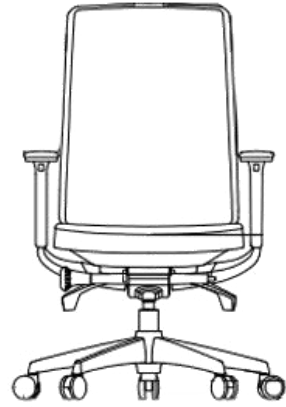


DIMENSIONS
W: 1200 mm
D: 450 mm
H: 2110 mm

CHAIR

COLLECTION

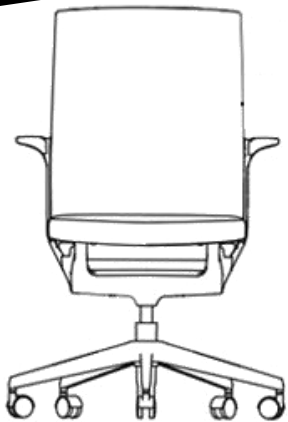




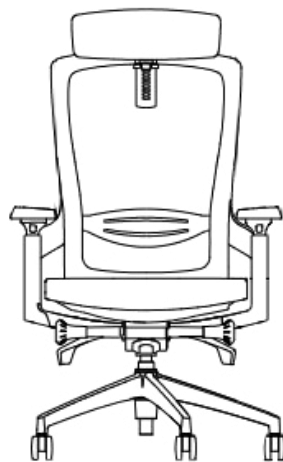
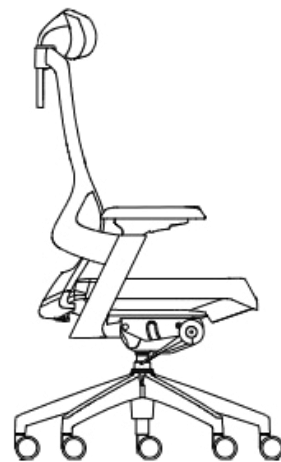
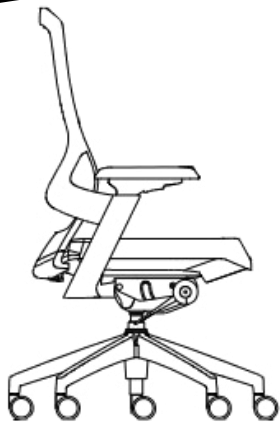




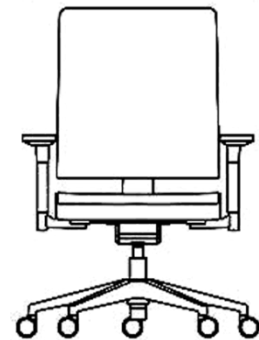
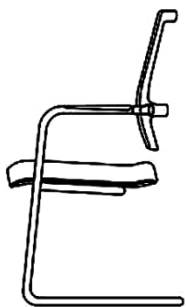
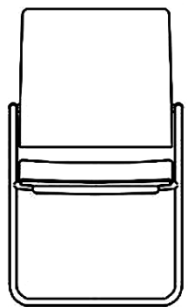
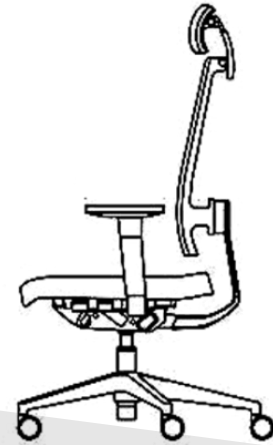
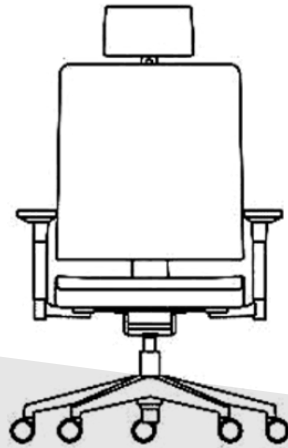








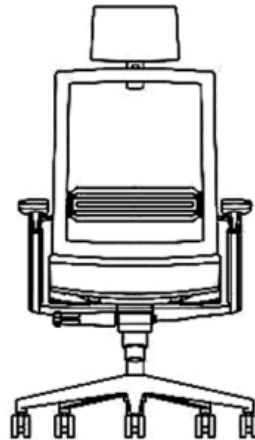
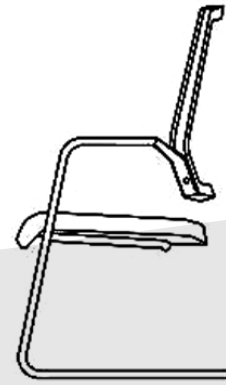
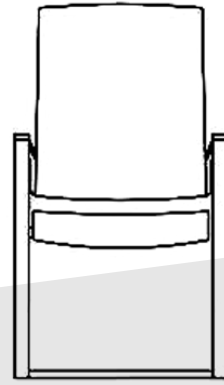
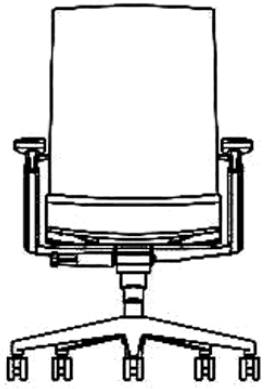










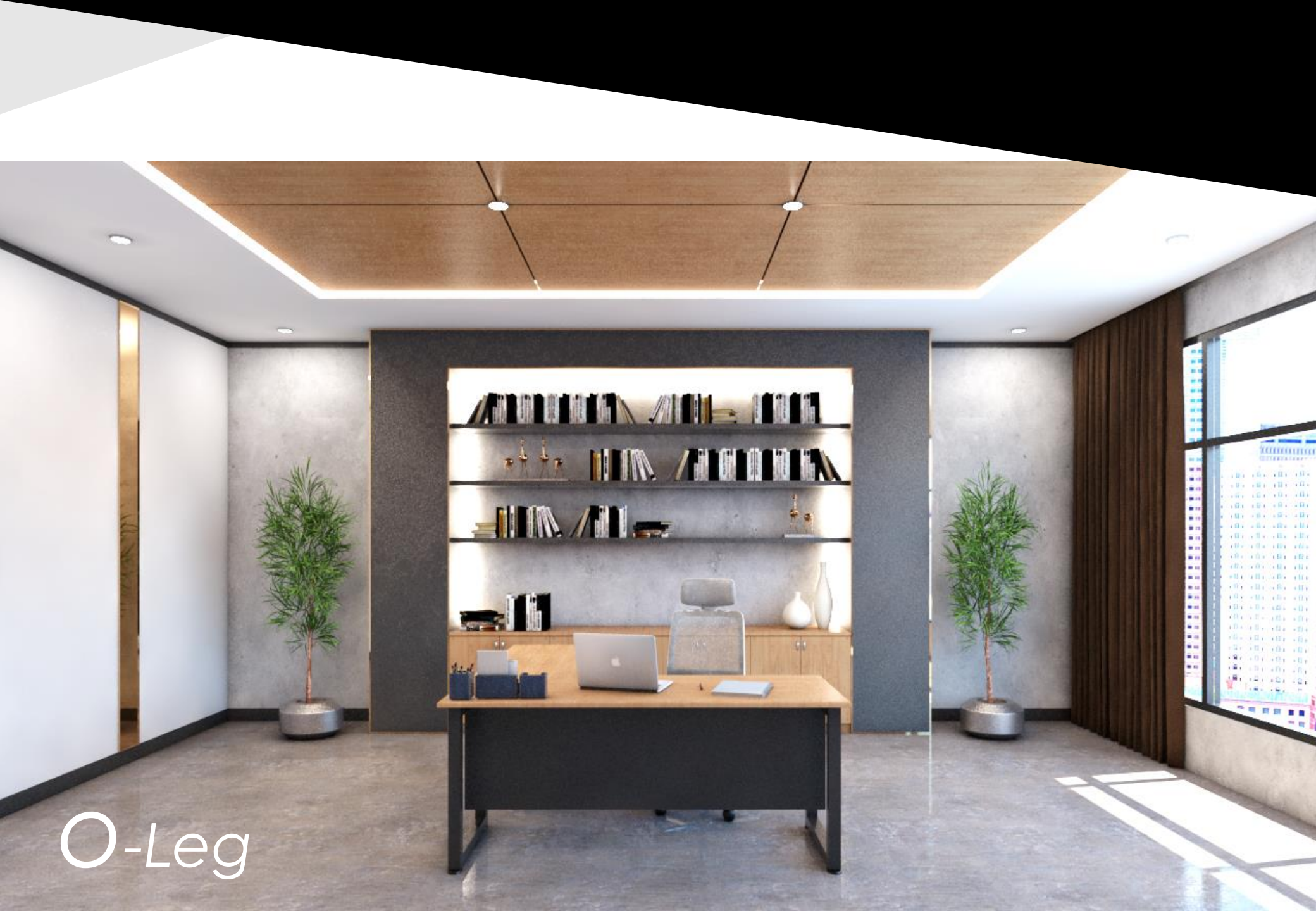




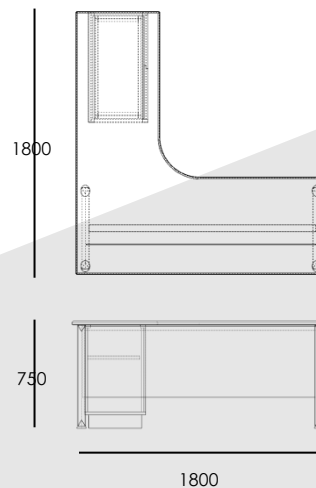


DESK

COLLECTION



O-Leg



L-DESK

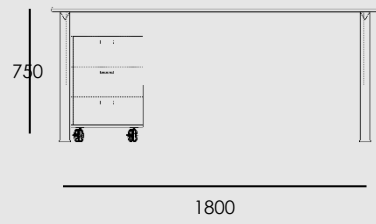
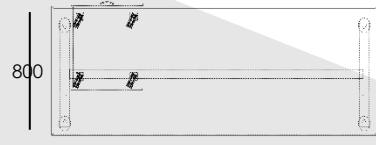
Designed to fit your workplace needs, the O Series L-Desk is a tough, long-lasting solution that highlights strength and simplicity.

MATERIAL DESCRIPTION

This L-desk is constructed with a sturdy steel frame and a laminate desk top.







DESK

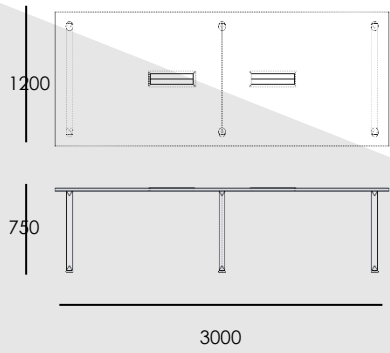
Superior in construction, the **O Series Desk** offers an intelligent solution to any office need.

MATERIAL DESCRIPTION

This desk is constructed with a sturdy steel frame and the finest laminate desk top to ensure years of trouble free use.

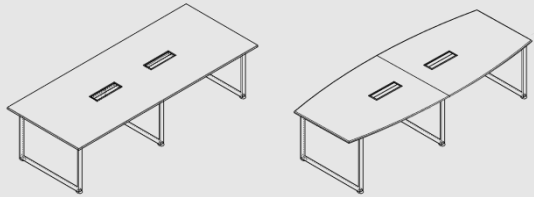






RECTANGULAR MEETING TABLE

Same as the boat shape meeting table, the **O Series Rectangular Meeting Table** has sufficient working space enough to fit a laptop and writing. This table's legs has two design options depending on the user's tastes.

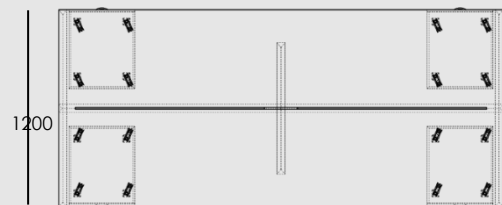


MATERIAL DESCRIPTION

This Meeting Table is constructed with a sturdy steel frame and a laminate desk top.

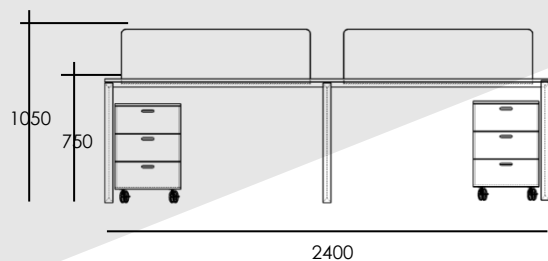






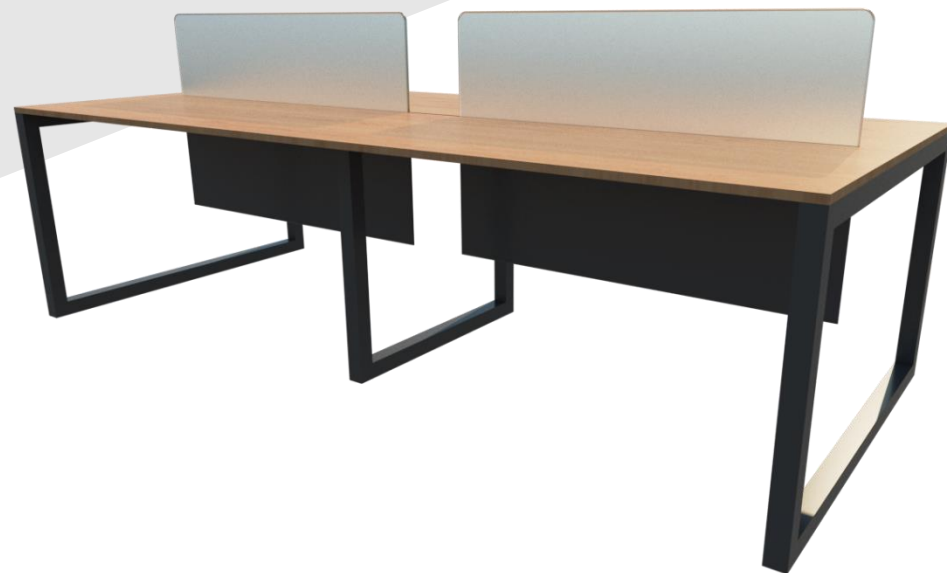
WORKSTATION

*Simple, Contemporary and Durable.
The **O Series Workstation**
is designed focusing
on the aesthetics and quality,
to fit office trends and needs.*



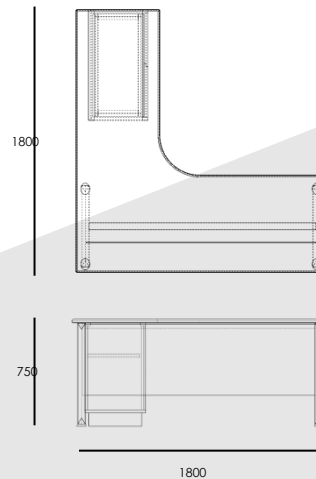
MATERIAL DESCRIPTION

*This Workstation is
constructed with
a sturdy steel frame
and lots of laminate
colors and designs
variety to choose from.*





n-Leg



L-DESK

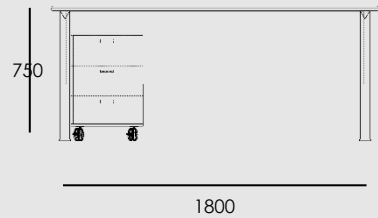
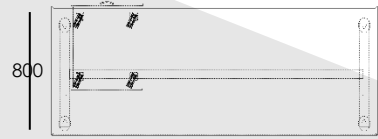
Designed to fit your workplace needs, the **Π Series L-Desk** is a tough, long-lasting solution that highlights strength and simplicity.

MATERIAL DESCRIPTION

This L-desk is constructed with a sturdy steel frame and a laminate desk top.







DESK

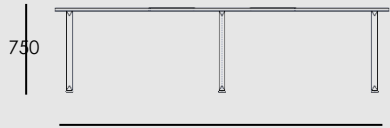
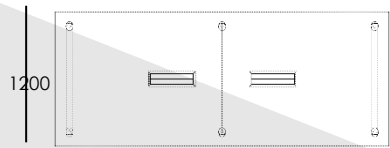
*Superior in construction, the **N Series Desk** offers an intelligent solution to any office need.*

MATERIAL DESCRIPTION

This desk is constructed with a sturdy steel frame and the finest laminate desk top to ensure years of trouble free use.





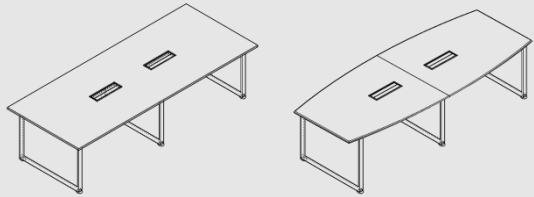


3000

RECTANGULAR MEETING TABLE

Same as the boat shape meeting table,

The **N Series Rectangular Meeting Table** has sufficient working space enough to fit a laptop and writing. This table's legs has two design options depending on the user's tastes.

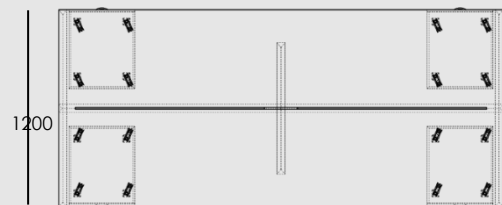


MATERIAL DESCRIPTION

This Meeting Table is constructed with a sturdy steel frame and a laminate desk top.



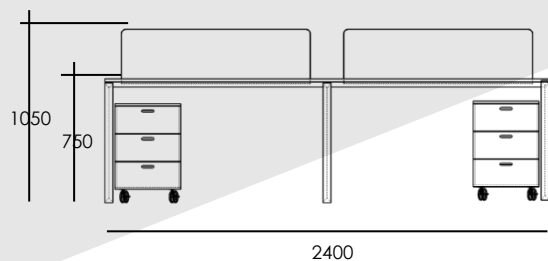




WORKSTATION

Simple, Contemporary and Durable.

*The **Π Series Workstation** is designed focusing on the aesthetics and quality, to fit office trends and needs.*



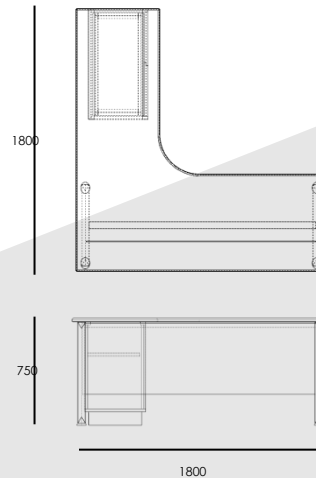
MATERIAL DESCRIPTION

This Workstation is constructed with a sturdy steel frame and lots of laminate colors and designs variety to choose from.





J-Leg



L-DESK

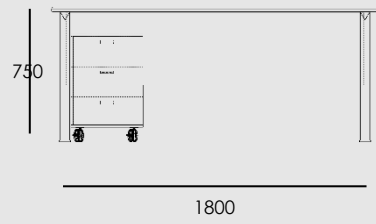
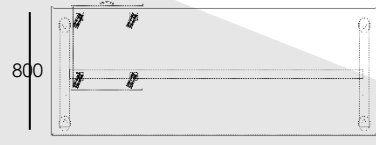
Designed to fit your workplace needs, the **J Series L-Desk** is a tough, long-lasting solution that highlights strength and simplicity.

MATERIAL DESCRIPTION

This L-desk is constructed with a sturdy steel frame and a laminate desk top.





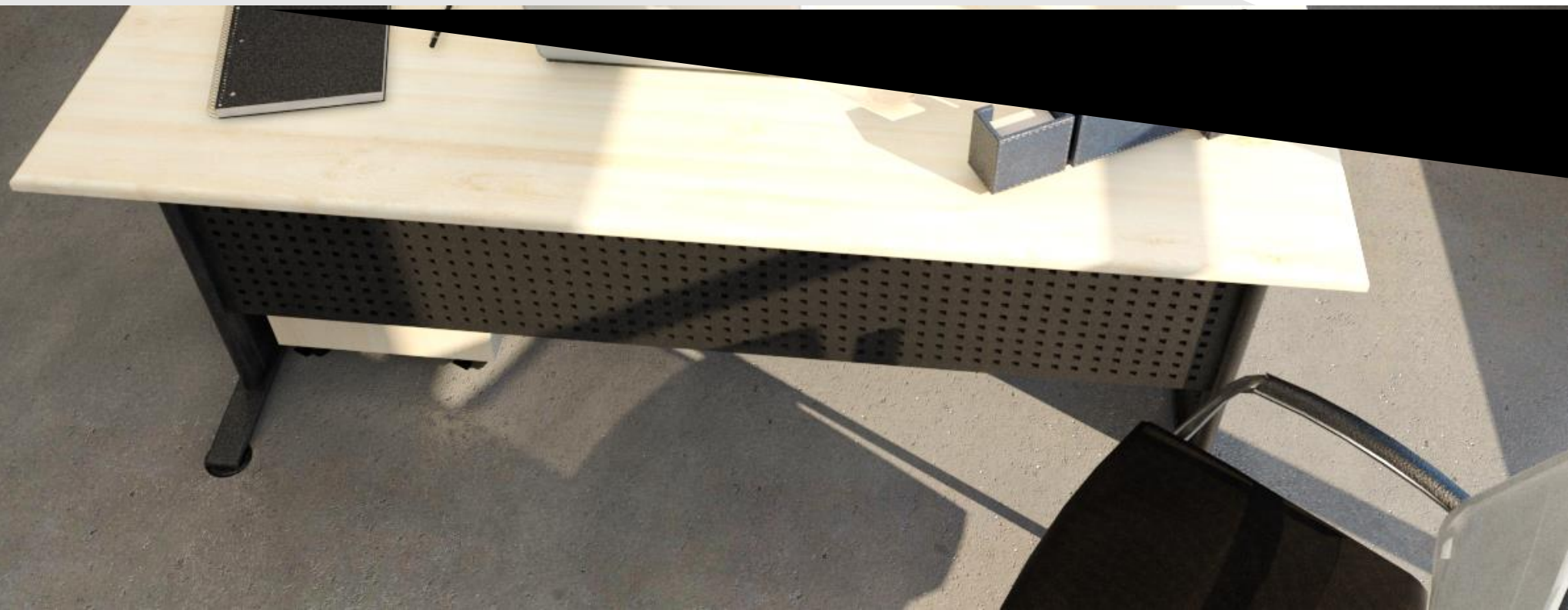


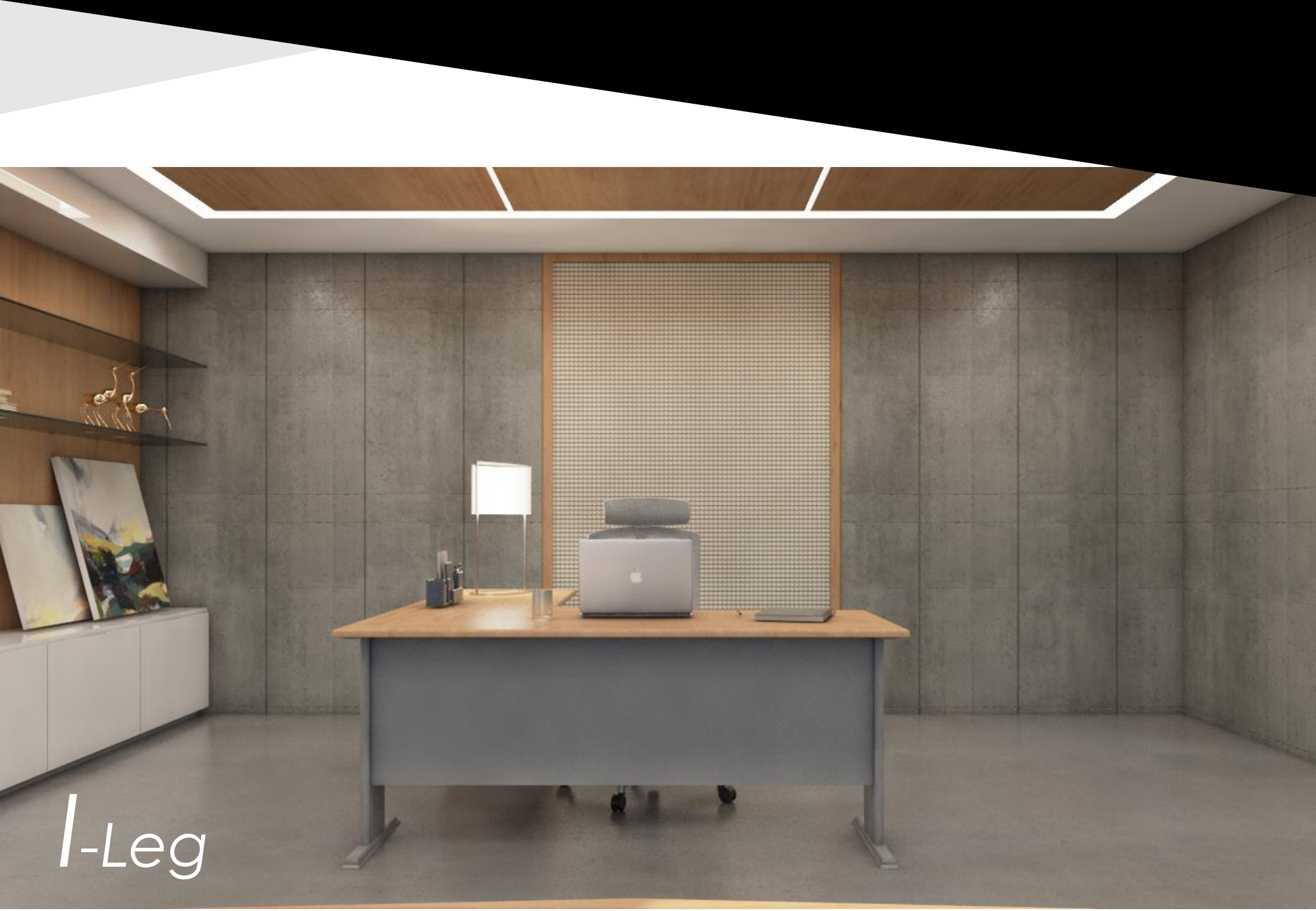
DESK

Superior in construction, the **J Series Desk** offers an intelligent solution to any office need.

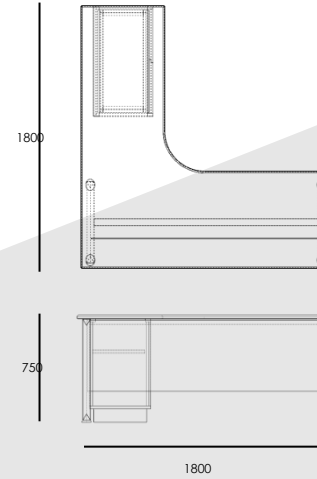
MATERIAL DESCRIPTION

This desk is constructed with a sturdy steel frame and the finest laminate desk top to ensure years of trouble free use.





I-Leg



L-DESK

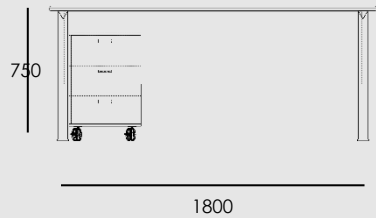
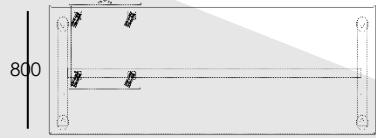
Designed to fit your workplace needs, the **Π Series L-Desk** is a tough, long-lasting solution that highlights strength and simplicity.

MATERIAL DESCRIPTION

This L-desk is constructed with a sturdy steel frame and a laminate desk top.







DESK

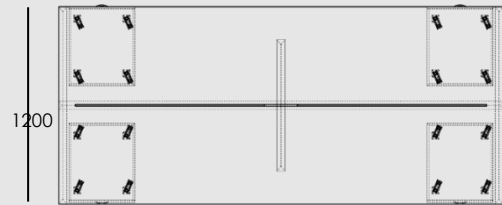
Superior in construction, the ***I Series Desk*** offers an intelligent solution to any office need.

MATERIAL DESCRIPTION

This desk is constructed with a sturdy steel frame and the finest laminate desk top to ensure years of trouble free use.



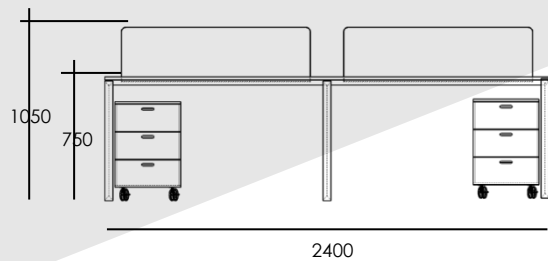




WORKSTATION

Simple, Contemporary and Durable.

The **I Series Workstation** is designed focusing on the aesthetics and quality, to fit office trends and needs.

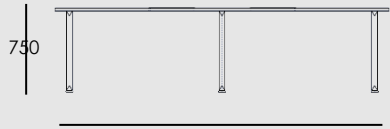
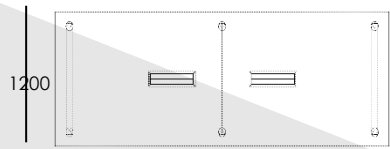


MATERIAL DESCRIPTION

This Workstation is constructed with a sturdy steel frame and lots of laminate colors and designs variety to choose from.





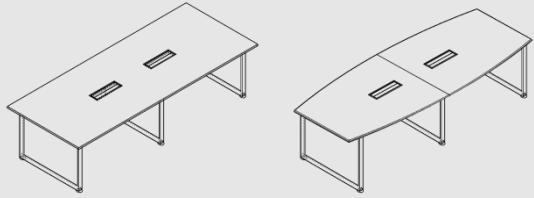


3000

MEETING TABLE

Same as the boat shape meeting table,

The **I Series Meeting Table** has sufficient working space enough to fit a laptop and writing. This table's legs has two design options depending on the user's tastes.



MATERIAL DESCRIPTION

This Meeting Table is constructed with a sturdy steel frame and a laminate desk top.





Panel Station



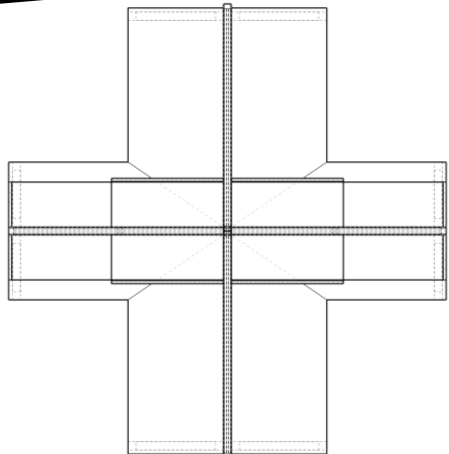
High Panel Workstation

Same as the boat shape meeting table, The **High Panel Workstation** has sufficient working space enough to fit a laptop and writing. This table's legs has two design options depending on the user's tastes.

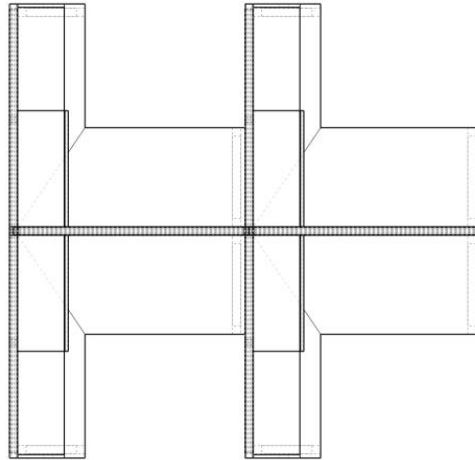
MATERIAL DESCRIPTION

The High Panel Workstation is constructed with a sturdy steel frame and a laminate desk top.

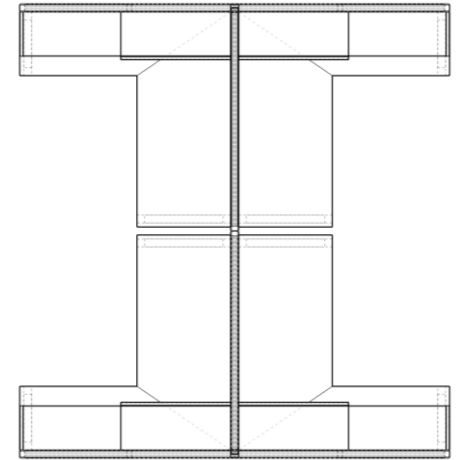




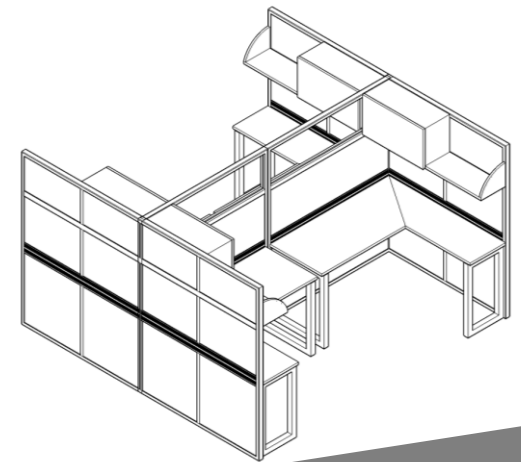
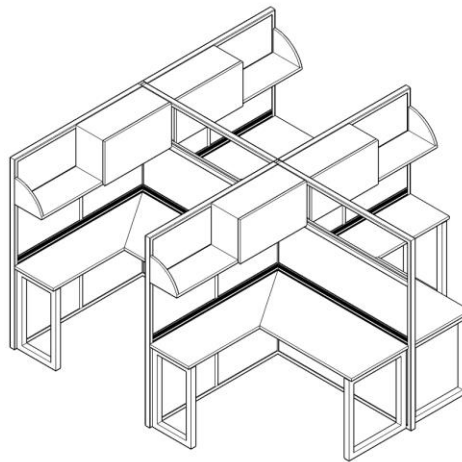
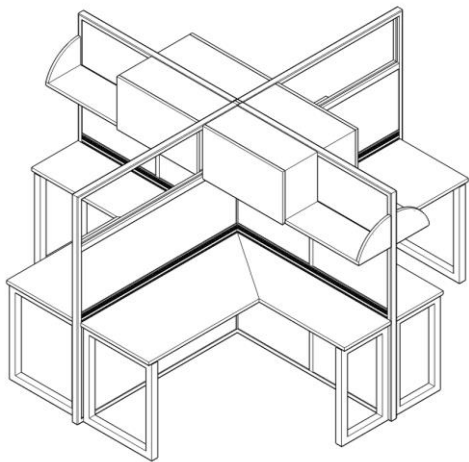
CROSS LAYOUT



T LAYOUT



I LAYOUT



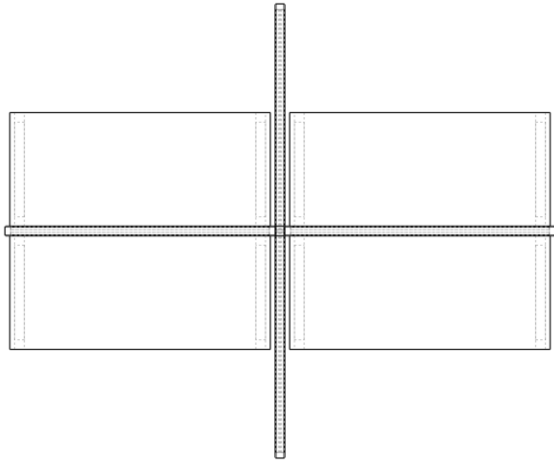


Low Panel Workstation

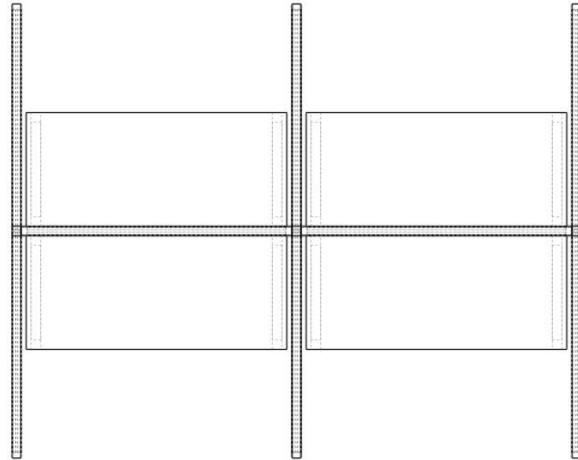
Same as the boat shape meeting table,
The **Low Panel Workstation** has
sufficient working space
enough to fit a laptop
and writing. This table's legs
has two design options
depending on the user's tastes.

MATERIAL DESCRIPTION
The Low Panel Workstation is
constructed with
a sturdy steel frame
and a laminate desk top.

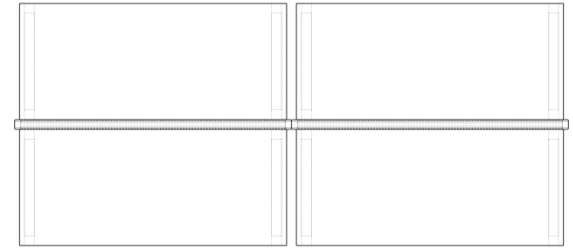




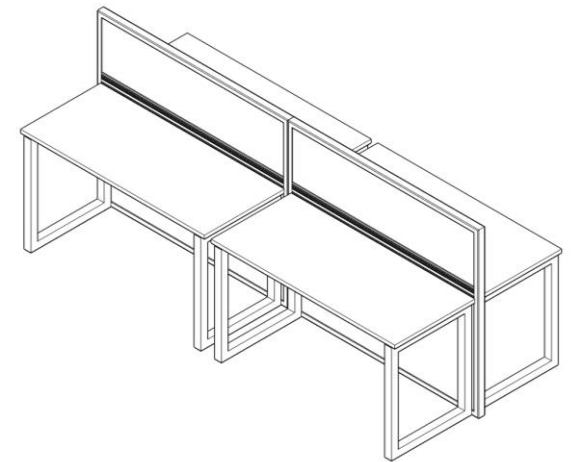
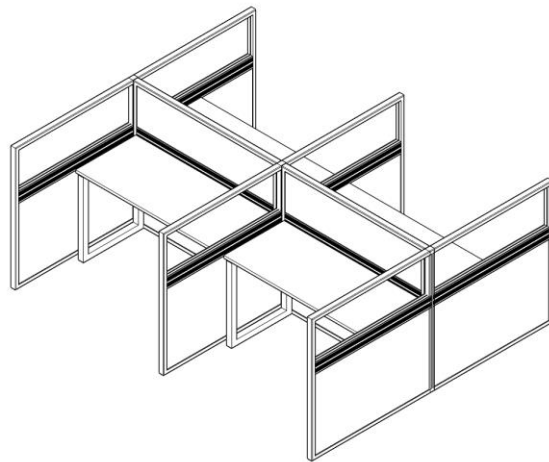
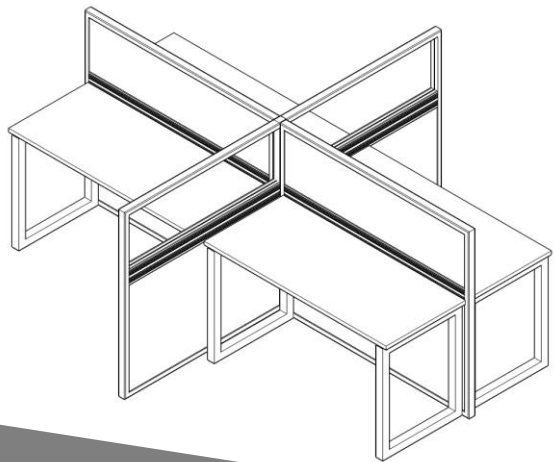
CROSS LAYOUT



CLOSED LAYOUT



OPEN LAYOUT





Training Table



Training Table

The **Folding Training Table** has sufficient working space enough to fit a laptop and writing.

MATERIAL DESCRIPTION

This foldable table is constructed with a sturdy steel frame and a laminate desk top.

